

V1209



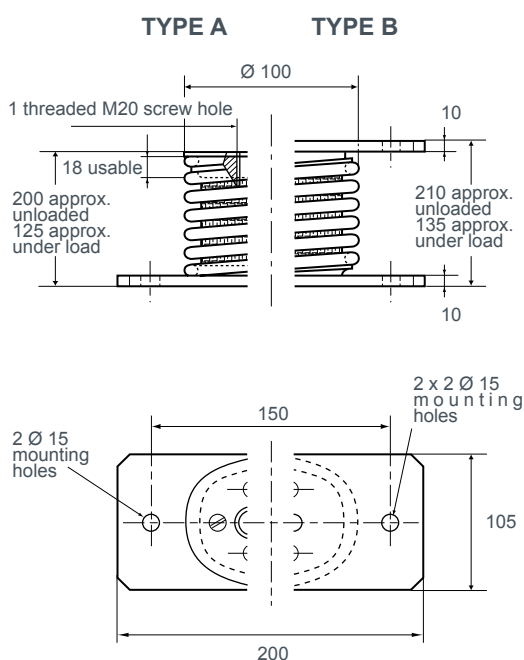
DESCRIPTION

Part of a series of very low frequency isolators working in compression only, giving very efficient isolation for rotating machines running at 250 rpm and above.

APPLICATIONS

Rotating machinery, hoppers and sensitive equipment with or without the use of inertia blocks.

OPERATING CHARACTERISTICS



- Maximum permitted excitation at natural frequency of suspension : ± 3 mm.
- Natural frequencies for this amplitude :
 - axial } 1,5 to 3,5 Hz depending on load.
 - radial }
- Amplification factor at resonance : < 5 .
- Structural strength corresponds to continuous acceleration of 2 g with maximum load.
- Operating temperature : $- 70^{\circ}\text{C}$ to $+ 300^{\circ}\text{C}$.

With lower mounting plate	With lower and upper mounting plate	Static axial load (daN)
V1209-01A	V1209-01B	60 - 95
V1209-03A	V1209-03B	95 - 150
V1209-05A	V1209-05B	150 - 230
V1209-07A	V1209-07B	210 - 330
V1209-09A	V1209-09B	300 - 460